

# NITCHI

## CHAIN HOIST H-50A SERIES

available from 0.5 ton through 50 ton capacities

No.1



**NITCHI CO., LTD.**

OSAKA, JAPAN.



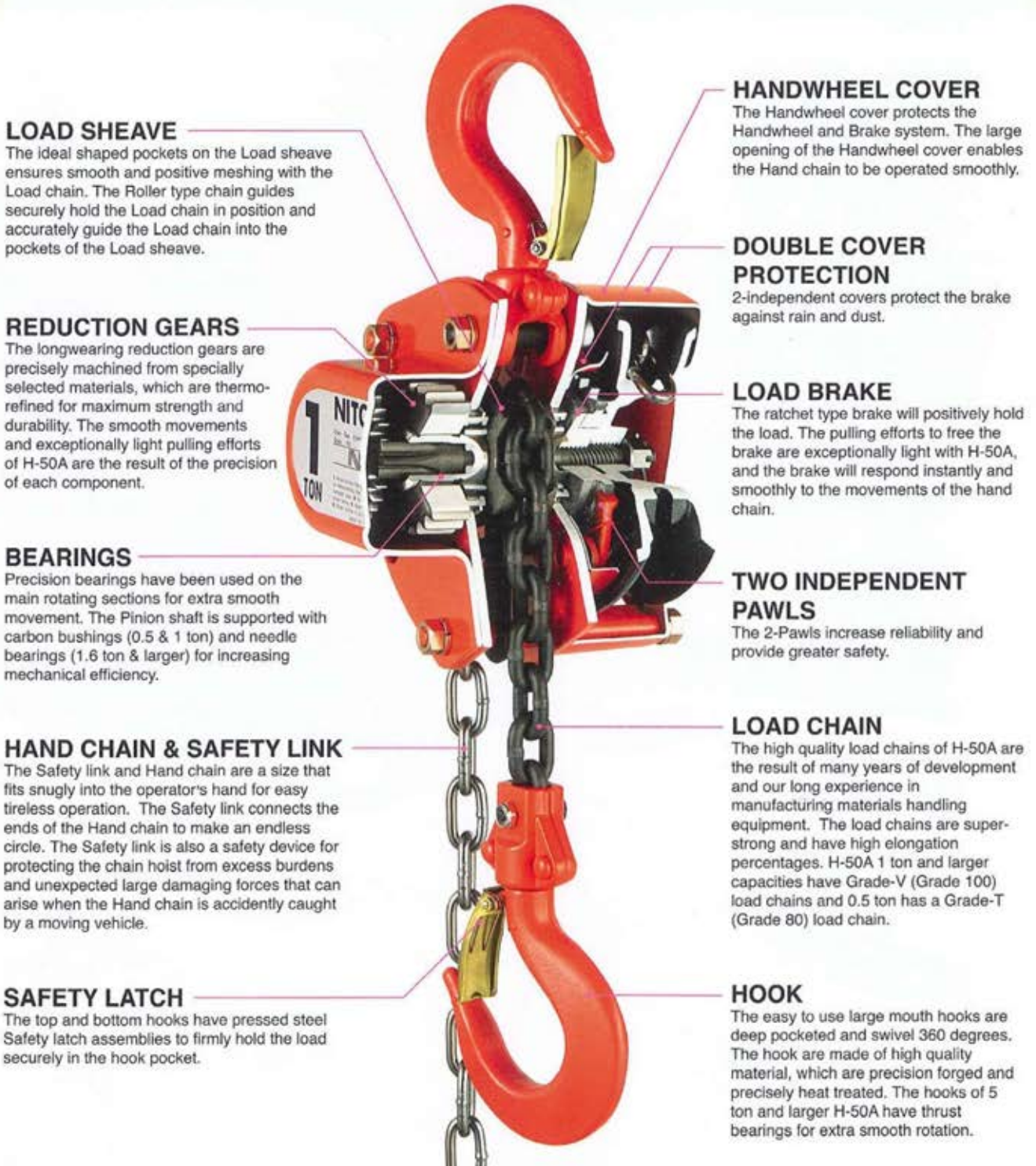
# HEAVY-DUTY CHAIN HOIST H-50A (triple spur geared)

## COMPACT & LIGHTWEIGHT

The latest technology, high quality materials together with ultra-modern equipment are employed to make the compact, lightweight, easy to use H-50A industrial type chain hoist with more than 4-times safety factor.

## DURABILITY

H-50A is a top quality heavy-duty chain hoist that we supply with complete confidence for fulfilling the harsh and severe requirements of various industries. H-50A's robust design comes from large capacity chain hoists with multiple falls of load chain. The super-strong body results from the high precision of the pressed components.



### LOAD SHEAVE

The ideal shaped pockets on the Load sheave ensures smooth and positive meshing with the Load chain. The Roller type chain guides securely hold the Load chain in position and accurately guide the Load chain into the pockets of the Load sheave.

### REDUCTION GEARS

The longwearing reduction gears are precisely machined from specially selected materials, which are thermo-refined for maximum strength and durability. The smooth movements and exceptionally light pulling efforts of H-50A are the result of the precision of each component.

### BEARINGS

Precision bearings have been used on the main rotating sections for extra smooth movement. The Pinion shaft is supported with carbon bushings (0.5 & 1 ton) and needle bearings (1.6 ton & larger) for increasing mechanical efficiency.

### HAND CHAIN & SAFETY LINK

The Safety link and Hand chain are a size that fits snugly into the operator's hand for easy tireless operation. The Safety link connects the ends of the Hand chain to make an endless circle. The Safety link is also a safety device for protecting the chain hoist from excess burdens and unexpected large damaging forces that can arise when the Hand chain is accidentally caught by a moving vehicle.

### SAFETY LATCH

The top and bottom hooks have pressed steel Safety latch assemblies to firmly hold the load securely in the hook pocket.

### HANDWHEEL COVER

The Handwheel cover protects the Handwheel and Brake system. The large opening of the Handwheel cover enables the Hand chain to be operated smoothly.

### DOUBLE COVER PROTECTION

2-independent covers protect the brake against rain and dust.

### LOAD BRAKE

The ratchet type brake will positively hold the load. The pulling efforts to free the brake are exceptionally light with H-50A, and the brake will respond instantly and smoothly to the movements of the hand chain.

### TWO INDEPENDENT PAWLS

The 2-Pawls increase reliability and provide greater safety.

### LOAD CHAIN

The high quality load chains of H-50A are the result of many years of development and our long experience in manufacturing materials handling equipment. The load chains are super-strong and have high elongation percentages. H-50A 1 ton and larger capacities have Grade-V (Grade 100) load chains and 0.5 ton has a Grade-T (Grade 80) load chain.

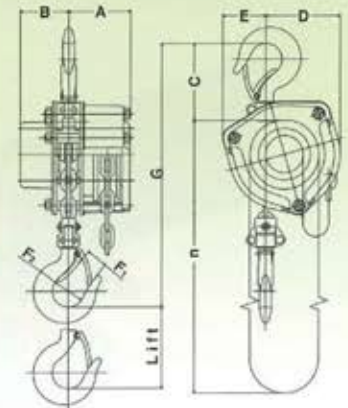
### HOOK

The easy to use large mouth hooks are deep pocketed and swivel 360 degrees. The hook are made of high quality material, which are precision forged and precisely heat treated. The hooks of 5 ton and larger H-50A have thrust bearings for extra smooth rotation.

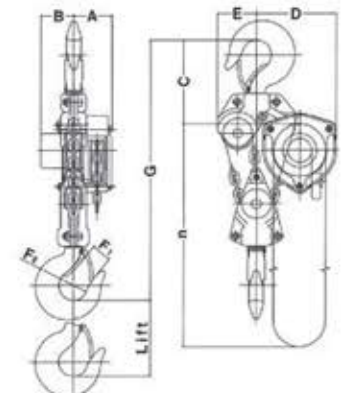


## EASY SERVICING

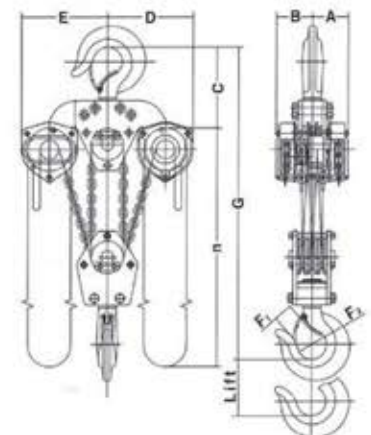
Wear and tear from prolong use is inevitable. When servicing becomes necessary all components of H-50A are replaceable.



0.5 - 3.2 ton Diagrammatic only



5 - 16 ton Diagrammatic only



20 ton or more Diagrammatic only

## STANDARD SPECIFICATIONS: H-50A Chain Hoist

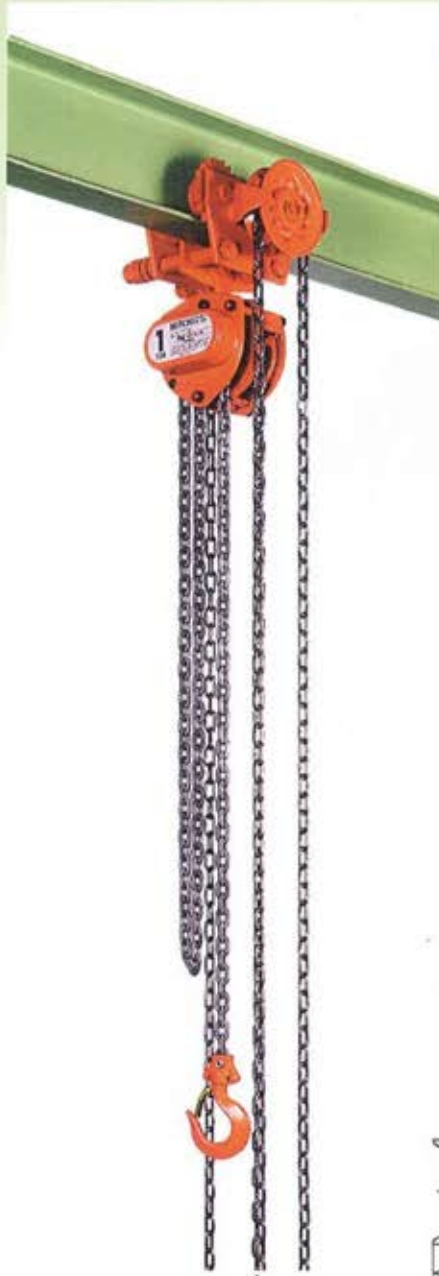
Item No.	Rated load (ton)	Lift (m)	Load chain		Head room G (mm)	Pulling efforts (N)	Net weight (kg)	Test load (ton)	Major Dimensions (mm)							
			Dia. (mm)	Nos. of falls					A	B	C	D	E	F1	F2	n(m)
HH5005A	0.5	2.5	5	1	260	206	8	0.75	82	56	100	90	48	24	36	2.5
HH5010A	1		6.3	1	300	235	10.5	1.5	84	66	110	100	59	29	43	2.5
HH5015A	1.6		7.1	1	345	289	15	2.4	91	77	120	115	69	33	48	2.5
HH5020A	2	3.0	7.9	1	380	329	21	3.0	99	88	125	132	82	35	52	3.0
HH5030A	3.2		10	1	435	373	30.5	4.8	106	94	140	160	94	40	60	3.0
HH5050A	5		7.1	3	575	353	35	7.5	91	77	200	205	94	47	68	3.1
HH5100A	10	3.5	10	3	790	422	76	12.5	106	94	260	283	122	68	95	3.8
HH5150A	16		10	5	1,040	461	155	20.0	106	94	350	340	212	75	105	4.0
HH5200A	20		10	6	1,080	441×2	250	25.0	153	153	345	390	390	79	125	4.0
HH5250A	25		10	8	1,100	431×2	≈320	31.3	183	183	345	390	390	79	125	4.0
HH5300A	32		10	10	1,470	461×2	≈440	40.0	213	213	435	400	400	95	135	4.3
HH5400A	40		10	14	1,700	451×2	≈650	50.0	255	255	530	400	400	105	165	4.6
HH5500A	50		10	20	1,820	461×2	≈850	62.5	328	328	590	400	400	115	180	4.6

N.B. 1. The table shows the standard lifts. Other chain lengths are also available.

The design, materials and specifications are subject to change for improvements without notice.

# CHAIN HOIST WITH TROLLEY

## GEARED TROLLEY TYPE HGB-50A

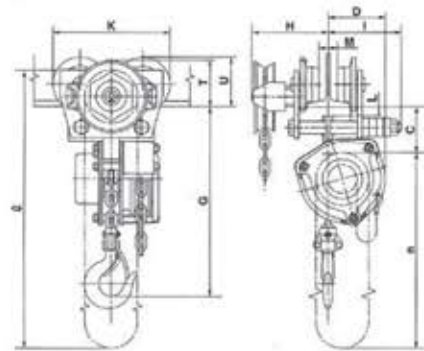


### DIRECT-COUPLING TYPE

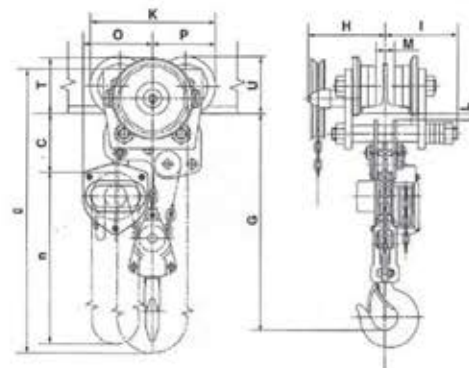
The Chain hoist and Trolley are connected with an exclusive direct-coupling assembly, which provides the shortest possible headroom that is necessary for obtaining the highest possible lift.

### SMOOTH, EASY TRAVERSING & SMALL CURVE RADIUS

Besides straight beams the trolleys will run smoothly on curved beams. The most suitable wheels and wheel pitches give the trolleys exceptionally small minimum curve radii.



HGB-50A 0.5-3.2 ton Diagrammatic only



HGB-50A 5-16 ton Diagrammatic only

### STANDARD SPECIFICATIONS: HGB-50A Geared Trolley Type Chain Hoist

Item No.	Rated load (ton)	Lift (m)	Head room G (mm)	Standard I-Beam (mm) a×b×t	Minimum radius for curve (mm)	Net weight (kg)	Test load (ton)	Major Dimensions (mm)												
								C	D	H	I	K	L	M	T	U	O	P	n	d
HGB5005A	0.5	2.5	245	125×75×5.5 180×100×6 250×125×7.5	800	17	0.75	90	90	b/2 +73	168 -b/2	195	23-12	b-43	96+12	72+12	-	-	2.5	2.5
HGB5010A	1		285	150×75×5.5 180×100×6 250×125×7.5	1,000	22	1.5	60	100	b/2 +98	168 -b/2	206	25-12	b-42	72+12	78+12	-	-	2.5	2.5
HGB5015A	1.6	3.0	340	150×75×5.5 180×100×6 250×125×7.5	1,100	29	2.4	60	115	b/2 +98	174 -b/2	221	29-12	b-41	72+12	85+12	-	-	2.5	2.5
HGB5020A	2		375	200×100×7 250×125×7.5 300×150×8	1,200	43	3.0	110	132	b/2 +108	203 -b/2	263	31-12	b-63	115+12	102+12	-	-	3.0	3.0
HGB5030A	3.2	3.5	415	200×100×7 250×125×10 300×150×11.5	1,500	61	4.8	110	160	b/2 +108	208 -b/2	306	28-12	b-63	119+12	126+12	-	-	3.0	3.0
HGB5050A	5		555	250×125×10 300×150×11.5 450×175×11	1,500	80	7.5	125	-	b/2 +141	253 -b/2	329	37-12	b-76	128+12	132+12	200	165	3.1	3.3
HGB5100A	10	3.5	710	400×150×12.5 450×175×13	3,000	175	12.5	185	-	b/2 +189	b/2 +104	420	45-12	b-84	130+12	175+12	278	210	3.8	4.1
HGB5150A	16		940	450×175×13	5,000	430	20.0	210	-	358	203	760	24	60	298+12	292+12	340	380	4.0	4.3

N.B. 1. The table shows the standard lifts. Other chain lengths are also available.  
2. Please refer to the table for H-50A for the specifications of the chain hoist.  
3. Also available with HE-50A chain hoist.

The design, materials and specifications are subject to change for improvements without notice.



# CHAIN HOIST WITH TROLLEY

## PLAIN TROLLEY TYPE HPB-50A

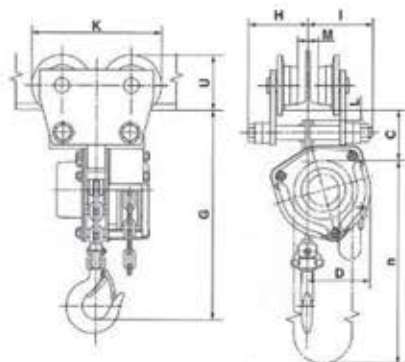


### COMBINATION WHEELS FOR I & H-BEAMS

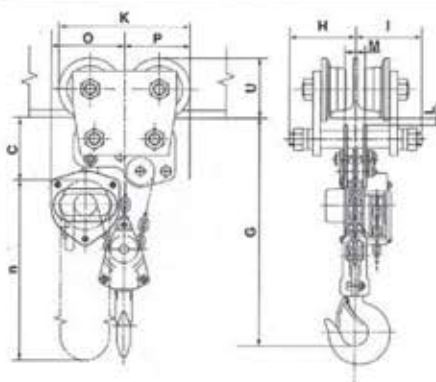
The 0.5 to 5 ton trolleys have combination wheel that will run on either flat or taper beams.

### CONVENIENT ADJUSTABILITY

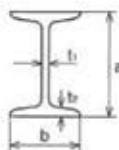
The trolley can be easily adjusted to 3-different beam widths with the adjusting collars. Non-standard beam widths are also available.



HPB-50A 0.5-3.2 ton Diagrammatic only



HPB-50A 5 ton Diagrammatic only



### STANDARD SPECIFICATIONS: HPB-50A Plain Trolley Type Chain Hoist

Item No.	Rated load (ton)	Lift (m)	Head room G (mm)	Standard I-Beam (mm) a×b×t1	Minimum radius for curve (mm)	Net weight (kg)	Test load (ton)	Major Dimensions (mm)										
								C	D	H	I	K	L	M	U	O	P	n
HPB5005A	0.5	2.5	245	125×75×5.5 180×100×6 250×125×7.5	800	14	0.75	90	90	93	105	195	23-t2	b-43	72+t2	-	-	2.5
HPB5010A	1		285	150×75×5.5 180×100×6 250×125×7.5	1,000	18	1.5	60	100	95	103	206	25-t2	b-42	78+t2	-	-	2.5
HPB5015A	1.6		340	150×75×5.5 180×100×6 250×125×7.5	1,100	25	2.4	60	115	112	112	221	29-t2	b-41	85+t2	-	-	2.5
HPB5020A	2	3.0	375	200×100×7 250×125×7.5 300×150×8	1,200	37	3.0	110	132	128	128	263	31-t2	b-63	102+t2	-	-	3.0
HPB5030A	3.2		415	200×100×7 250×125×10 300×150×11.5	1,500	55	4.8	110	160	133	133	306	28-t2	b-63	126+t2	-	-	3.0
HPB5050A	5		555	250×125×10 300×150×11.5 450×175×11	1,500	73	7.5	125	329	166	166	-	37-t2	b-76	132+t2	200	165	3.1

N.B. 1. The table shows the standard lifts. Other chain lengths are also available.  
2. Please refer to the table for H-50A for the specifications of the chain hoist.  
3. Also available with HE-50A chain hoist.

The design, materials and specifications are subject to change for improvements without notice.

# TROLLEYS (GEARED TROLLEY & PLAIN TROLLEY)

## 0.5 ton to 10 ton for Chain hoist

### HOOK SUSPENSION TYPE

The chain hoist and trolley can be connected simply by inserting the top hook into the hole of the trolley suspension plate. The most suitable wheels and wheel pitches give the trolleys exceptionally small minimum curve radii.

We also manufacture trolleys for 10 ton and larger capacities, please ask your dealer for further information.

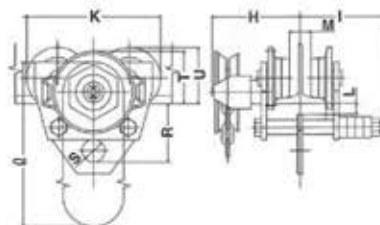
### COMBINATION WHEELS FOR I & H-BEAMS

The 0.5 to 5 ton trolleys are equipped with I & H-Beam combination wheels that will run smoothly on either flat or taper beams.

### CONVENIENT ADJUSTABILITY

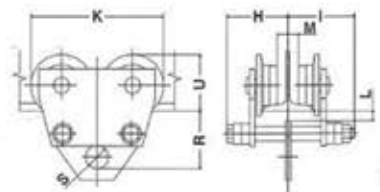
The trolley can be adjusted to 3-different beam widths with the adjusting collars. Non-standard beam widths are also available.

#### GEARED TROLLEY (GT-5)

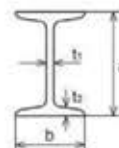


GT-5 Diagrammatic only

#### PLAIN TROLLEY (PT-5)



PT-5 Diagrammatic only



### STANDARD SPECIFICATIONS: GT-5 Geared Trolley & PT-5 Plain Trolley

Item No.	Geared Trolley (GT-5) & Plain Trolley (PT-5)					Geared Trolley (GT-5)					Plain Trolley (PT-5)								
	Rated load (ton)	Standard I-Beam (mm) a×b×t <sub>1</sub>	Minimum radius for curve (mm)	Test load (ton)	Major Dimensions (mm)					Lift (m)	Major Dimensions (mm)			Net weight (kg)	Major Dimensions (mm)				
					K	L	M	R	S	U		Net weight (kg)	H	I	T	Ø	Net weight (kg)	H	I
GT5005 PT5005	0.5	125×75×5.5 180×100×6 250×125×7.5	800	0.75	195	23-12	b-43	94-12	32	72+12	2.5	9	b/2 +73	168 -b/2	96+12	2.5	6	93	105
GT5010 PT5010	1	150×75×5.5 180×100×6 250×125×7.5	1,000	1.5	206	25-12	b-42	99-12	35	78+12		12	b/2 +98	168 -b/2	72+12	2.5	8	95	103
GT5015 PT5015	1.6	150×75×5.5 180×100×6 250×125×7.5	1,100	2.4	221	32-12	b-41	108-12	40	85+12		15	b/2 +98	174 -b/2	72+12	2.5	11	112	112
GT5020 PT5020	2	200×100×7 250×125×7.5 300×150×8	1,200	3.0	262	31-12	b-63	130-12	45	102+12	3.0	23	b/2 +108	203 -b/2	115+12	3.0	17	128	128
GT5030 PT5030	3.2	200×100×7 250×125×10 300×150×11.5	1,500	4.8	306	32-12	b-63	130-12	56	126+12		32	b/2 +108	208 -b/2	119+12	3.0	26	133	133
GT5050 PT5050	5	250×125×10 300×150×11.5 450×175×11	1,500	7.5	329	37-12	b-76	152-12	65	132+12		52	b/2 +141	253 -b/2	128+12	3.0	45	166	166
GT5100	10	400×150×12.5 450×175×13	3,000	12.5	420	45-12	b-84	235-12	80	175+12	3.5	115	b/2 +189	b/2 +104	184+12	3.5	-	-	-

N.B. 1. The table shows the standard lifts. Other chain lengths are also available.  
2. PT-5 Plain Trolley is only available up to 5 ton.

The design, materials and specifications are subject to change for improvements without notice.



# GENERAL-PURPOSE CHAIN HOIST HE-50A

(triple spur geared)

## GENERAL-PURPOSE CHAIN HOIST

HE-50A is a well balanced all-round chain hoist with the same basic design as the H-50A industrial type chain hoist. For normal use most people will find the durability of HE-50A more than sufficient for their requirements.



1 ton

### Excellent balance between cost and performance

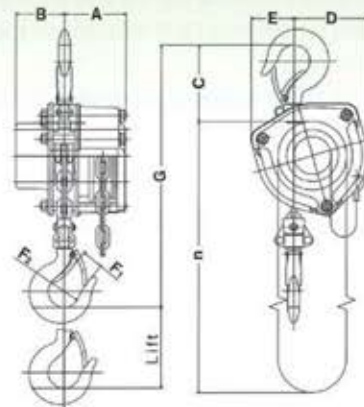
HE-50A is not a chain hoist that merely pursues low cost. It is a quality chain hoist that comes from the same strain as the heavy-duty H-50A industrial type chain hoist, which is renowned for its durability and operability. While proving the ultimate balance between low cost and high performance, HE-50A attaches greater importance to durability and operability.

HE-50A has been upgraded and now has 2-Pawls. The additional pawl increase reliability and safety.

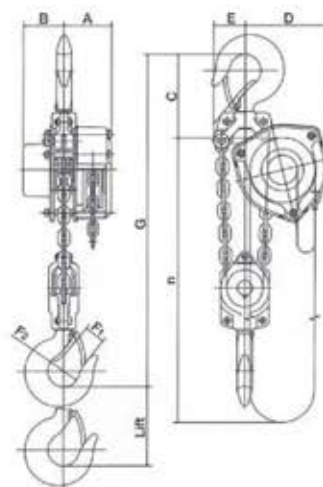
HE-50A product lineup has been complemented with the addition of 3.2 ton. HE-50A 3.2 ton was specially developed for fulfilling the request of many people. When compared to H-50A 3.2 ton the net weight is 8.5 kg lighter, which makes it much easier to transport and install.

### LOAD CHAIN

The well balanced Grade T (Grade 80) load chains of HE-50A are the results of many years of development and our long experience in manufacturing materials handling equipment. These load chains have outstanding tensile strength and high elongation percentages.



0.5-2 ton Diagrammatic only



3.2 ton Diagrammatic only

### STANDARD SPECIFICATIONS: HE-50A Chain Hoist

Item No.	Rated load (ton)	Lift (m)	Load chain		Head room G (mm)	Pulling efforts (N)	Net weight (kg)	Test load (ton)	Major Dimensions (mm)							
			Dia. (mm)	Nos. of falls					A	B	C	D	E	F <sub>1</sub>	F <sub>2</sub>	n(m)
HE5005A	0.5	2.5	5	1	260	245	8	0.75	82	56	100	90	48	24	36	2.5
HE5010A	1		6.3	1	300	265	10.5	1.5	84	66	110	100	59	29	43	2.5
HE5015A	1.6		7.1	1	345	324	15	2.4	91	77	120	115	69	33	48	2.5
HE5020A	2	3.0	7.9	1	380	392	21	3.0	99	88	125	132	82	35	52	3.0
HE5030A	3.2		7.1	2	530	353	22	4.8	91	77	160	160	60	40	60	3.0

N.B. 1. The table shows the standard lifts. Other chain lengths are also available.

The design, materials and specifications are subject to change for improvements without notice.

# OPTIONS & SPECIAL APPLICATIONS

## RUST RESISTING CHAINS (NN CHAIN)

The extra long wearing diffused surface penetrating nickel plating of the NN chain does not affect the original strength or hardness of the chain. The NN plating is fused (melted) into the chain material and will not peel off like conventional surface plating.



NN CHAIN

## OVERLOAD PROTECTION (OLP)

This device protects the chain hoist from overloads.

Preset friction-type OLP devices are available as optional equipment for 0.5 to 5 ton chain hoists.

The OLP device can be purchased separately as a component.

## Chain Collecting Bucket

The chain collecting bucket can be easily connected to the chain hoist without modification.

## Ring-Eye Type Hooks

The ring-eye type top and bottom hooks are ideal for all types of special applications.

### DUAL SPEED TYPE CHAIN HOIST

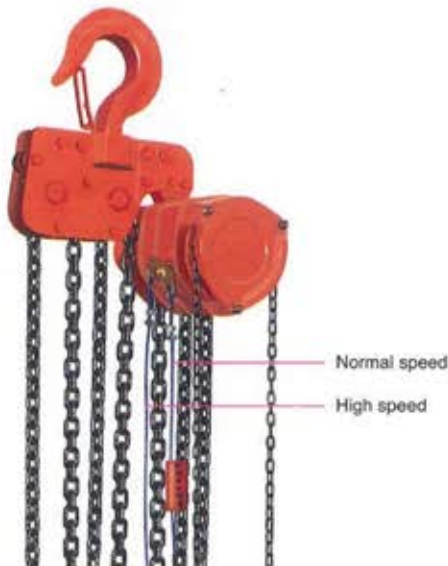
The load can be safely lifted with the normal speed, and the height of the bottom hook can be speedily adjusted with high speed.

#### Patent No.327783

For 16 ton and larger chain hoists.

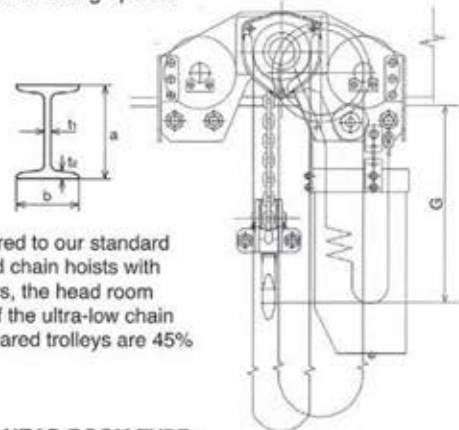
Applications: Lifting bridge girders, construction work, civil engineering, etc.

Specification: The speed ratio (High = 4 to normal = 1) can be easily changed with the switch-lever. High speed is only for use without a load.



### ULTRA-LOW HEAD ROOM TYPE CHAIN HOIST WITH GEARED TROLLEY:

HGBL-50A is the ideal unit that enables you to use every inch of available lifting space.



When compared to our standard direct-coupled chain hoists with geared trolleys, the head room dimensions of the ultra-low chain hoists with geared trolleys are 45% shorter.

### ULTRA-LOW HEAD ROOM TYPE:

Specifications of HGBL-50A chain hoist with geared trolley

Item No.	Rated load (ton)	Lift (m)	Head room G (mm)	Standard I-Beam (mm) a×b×t1	Test load (ton)
HGBL 5030A	3.2	3.0	170	200×100×7 250×125×10 300×150×11.5	4.8
HGBL 5050A	5		250	250×125×10 300×150×11.5 450×175×11	7.5
HGBL 5100A	10	3.5	300	400×150×12.5 450×175×13	12.5

The specifications are subject to change.

The chain bucket assembly shown in the diagram is an optional extra and needs to be ordered separate.

Please ask your distributor for further details.

The design, materials and specifications are subject to change for improvements without notice.



**NITCHI CO., LTD.**

NO.7-17, 4-CHOME, YOSHITA,  
HIGASHI-OSAKA, OSAKA 578-0924, JAPAN  
<http://www.nitchi.co.jp/>